

Model: PRIPORT SAPPHIRE/GARNET/SA2/SA2P		Date: 27-Nov-03	No: M-C235-011
Modified Article: New Model SA2P information (China only)		Prepared by:	
From: Priport Service Planning Section		M. Ohtsubo	
Classification:	<input type="checkbox"/> Parts catalog correction	<input type="checkbox"/> Vendor change	<input type="checkbox"/> To meet standards
	<input type="checkbox"/> To facilitate assembly	<input type="checkbox"/> To improve reliability	()
	<input type="checkbox"/> Part standardization	<input checked="" type="checkbox"/> Other (New model information)	
Model Name:			
SAPPHIRE:	Ricoh JP8000, Gestetner 5490, RexRotary 1395, nashuatec CP490, Savin 3450DNP, Standard SD630		
GARNET:	Ricoh JP5500, Gestetner 5450+/5455, RexRotary1560+, nashuatec CP450+, Savin 3360DNP, Standard SD450, Lanier LDD150		
SA2:	Ricoh JP8500, Gestetner 5490+/5499, RexRotary1395+, nashuatec CP490+, Savin 3460DNP, Standard SD650, Lanier LDD180		
SA2P (China only):	Ricoh JP8510P, Gestetner 5500P		

This bulletin lists the components unique to Model SA2P (C255). Please add this list and accompanying illustration to your SA2 (C244) Parts Catalogs.

Notes: Please also see RTB #R-C229-017 for revisions made to the Service Manual due to minor changes applied to Model SA2P.

Model: PRIPORT SAPPHIRE/GARNET/SA2/SA2P**Date:** 27-Nov-03**No:** M-C235-011**1. EXTERIOR 1**

Sec	Index	Parts No.	Description	Q'ty	Page
1	21	C255 1340	Decal – Emblem JP8510P	1	3
1	21	C255 1341	Decal – Emblem 5500P	1	3

2. EXTERIOR 2

Sec	Index	Parts No.	Description	Q'ty	Page
2	3	C229 1358	Decal- Cylinder Operation – CHN	1	5
2	6	C255 1459	Operation Panel Ass'y – CHN	1	5
2	7	C233 1291	Decal - Caption LED – CHN	1	5

3. OPERATION PANEL

Sec	Index	Parts No.	Description	Q'ty	Page
3	2	C255 1522	Sheet - On Line – CHN	1	7
3	3	C255 1523	Behind Sheet – CHN	1	7
3	19	C255 1521	Sheet - Display Board Monitor – CHN	1	7

20. DELIVERY TABLE 1

Sec	Index	Parts No.	Description	Q'ty	Page
20	20	C238 4397	Rear Lower Guide – CHN	1	41
20	30	C238 4398	Front Lower Guide – CHN	1	41

21. DRUM UNIT 1

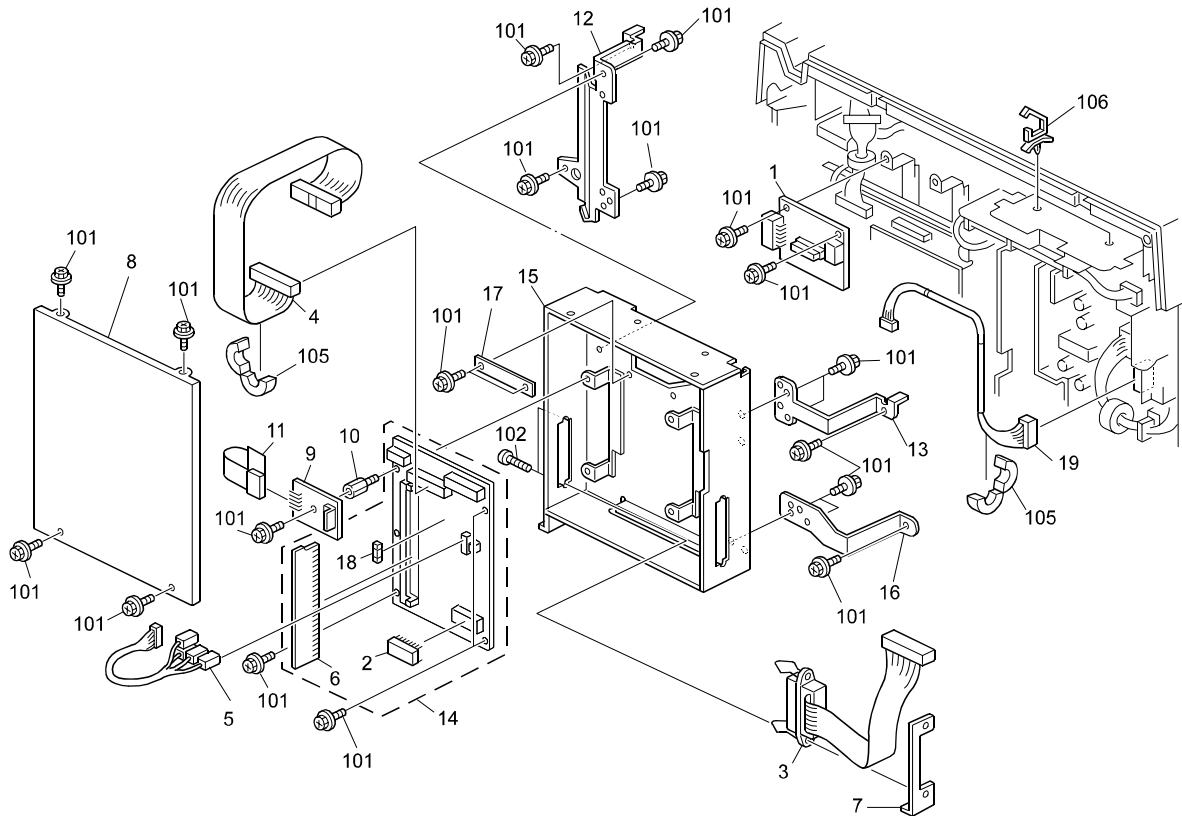
Sec	Index	Parts No.	Description	Q'ty	Page
21	21	C229 1353	Decal - Drum Operation – CHN	1	43
21	27	C229 2318	Drum Rail Ass'y – CHN	1	43

37. ELECTRICAL SECTION 2

Sec	Index	Parts No.	Description	Q'ty	Page
37	16	C255 5838	Power Supply Cord – CHN	1	75
21	27	C229 2318	Drum Rail Ass'y – CHN	1	43

40.DECALS AND DOCUMENTS

Sec	Index	Parts No.	Description	Q'ty	Page
40	5	C255 8606	Operating Instructions – CHN (RIC/GES)	1	87

27. PRINTER CONTROLLER UNIT

Model: PRIPORT SAPPHIRE/GARNET/SA2/SA2P	Date: 27-Nov-03	No: M-C235-011
--	------------------------	-----------------------

Sec	Index	Parts No.	Description	Q'ty	Note
27	1	C607 5150	Video I/F Board	1	
27	2	C613 5012	Flash Memory	1	
27	3	C249 5415	Interface Harness	1	
27	4	C253 5401	Flat Cable	1	
27	5	C249 1002	Panel Harness	1	
27	6	C613 5005	SIMM 16MB	1	
27	7	C249 5646	Plate	1	
27	8	C613 5645	Shading Plate	1	
27	9	C613 1005	Keypad PCB	1	
27	10	C249 5659	Keypad PCB Stud	1	
27	11	C613 1011	Panel	1	
27	12	C607 5651	Stand – Left	1	
27	13	C607 5652	Stand – Right	1	
27	14	C613 5297	Controller Board	1	
27	15	C613 5631	Controller Box	1	
27	16	C607 5653	Stand – Lower Right	1	
27	17	C218 3039	Flat Cable Clamp	1	
27	18	11070914	Fuse 451001.MR	1	
27	19	C255 5301	Controller Power Cable	1	
27	101	04513006B	Tapping Screw – M3x6		
27	102	03530080Z	Philips Trass Head Screw – M3x8		
27	103	07120030B	Hexagon nut – M3		
27	104	04514006B	Tapping Screw - 4x6		
27	105	16070663	Ferrite Core		
27	106	11050310	Harness Clamp		
27	-	C613 6036	CDROM – CHN		
27	-	C613 8626	Operating Instructions – CHN		